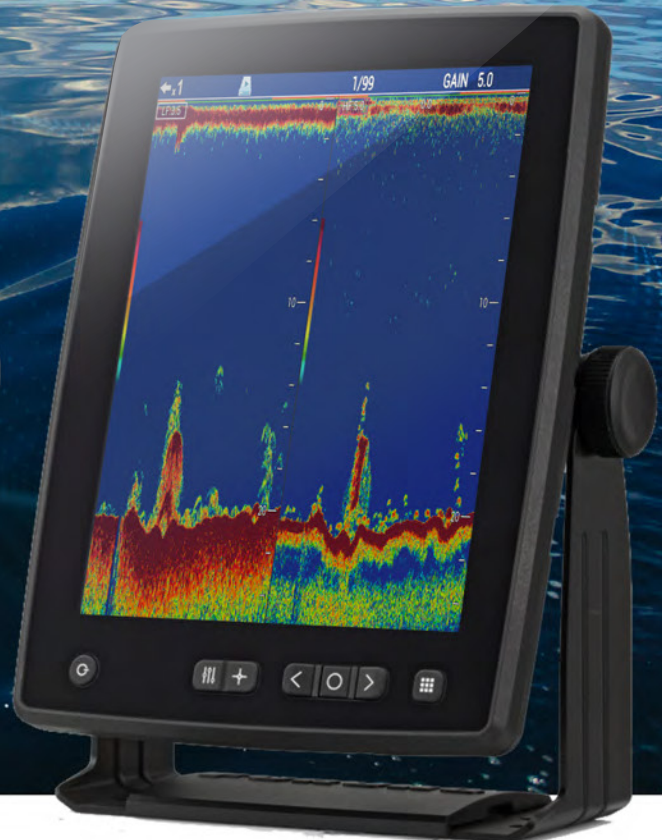
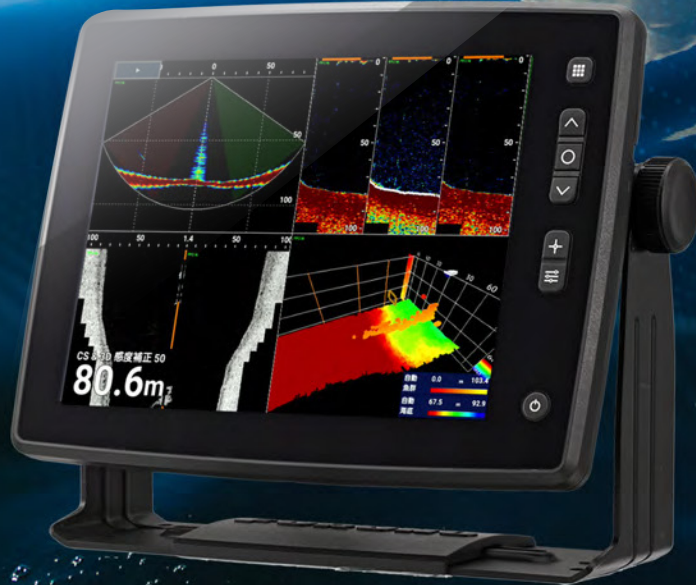


FURUNO

FLEX Function Display

Model

SFD-1010/1012



10" and 12" Display Units

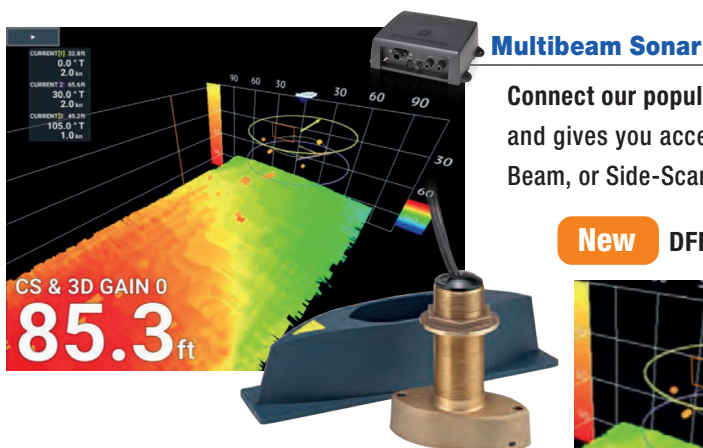


Highly Flexible Displays

Discover the SFD-1010/1012, 10" and 12" display and control units compatible with a wide range of Furuno sensors from DRS4DL+ Radar to DFF-3D Multibeam Sonar or Fish Finders. These are versatile and highly adaptable Display units that, combined with a hub and your favorite sensors, allow multiple configurations to suit all needs, from recreational boating to workboats.

Designed to work with our most popular sensors

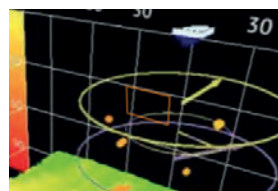
SFD-1010/1012 has been designed to work with our most popular sensors such as Radars, Fish Finders and DFF-3D. Each display unit will therefore be able to display the desired mode depending on the configuration.



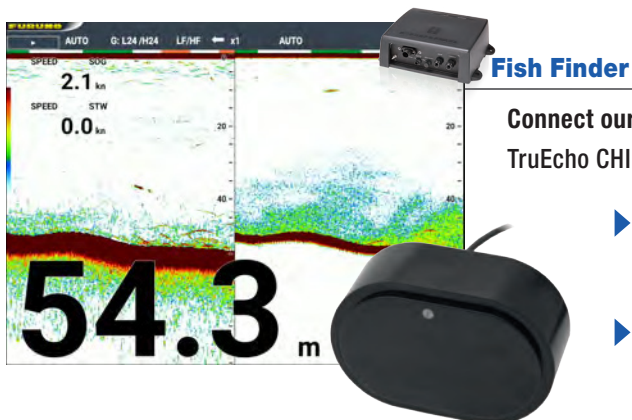
Multibeam Sonar

Connect our popular **DFF-3D** Multibeam Sonar which displays echoes in high-resolution and gives you access to several useful modes such as Cross Section, 3D history, Triple Beam, or Side-Scan.

New DFF-3D/SFD Combo features sea current overlay & virtual net mark



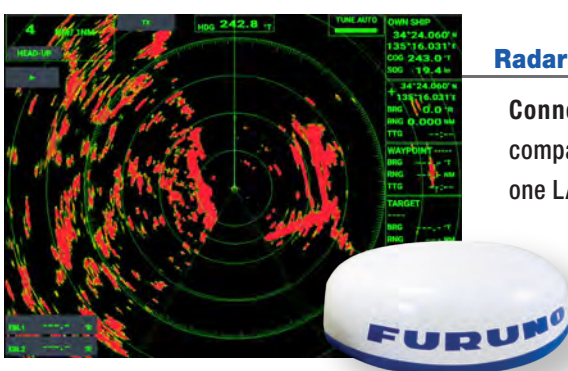
Thanks to a virtual fishing net, you will be able to determine the position of the net's mouth in relation to the targeted school of fish and thus increase the efficiency of your catch. In addition, you can overlay sea current information as shown in the picture.



Fish Finder

Connect our most powerful Fish Finders and enjoy our best fishing technologies such as TruEcho CHIRP™ and ACCU-FISH™ for maximum clarity.

- ▶ Choose your best Fish Finder Among **BBDS1, DFF1, DFF1-UHD, DFF3** depending on your needs.
- ▶ High Resolution Fish Finders provide better bottom contours & clearer presentation that separates bottom structure from bottom fish.



Radar

Connect our Plug-and-Play Radar to ensure your safety at sea with the extremely compact Radome 19" **DRS4DL+** which features Fast Target Tracking™ and requires only one LAN cable and one Power Supply cable for its installation.

- ▶ **Multi-station for dual Radar display**
The Multi-station feature allows you to connect two SFD displays to one Radar. We recommend the vertical orientation when using Off-center. it is perfect for Workboats.



Flexible orientation for your favorite display mode

Freely adjust the orientation of your display in a short time and without the need for any tool to do it!



Touch Control + Control Keys

The SFD is also very flexible in its control capabilities, ranging from multi-touch to control keys, as well as operation with an optional mouse.



Adjustable bracket to fit your preferred display orientation.

Flexible configuration with the Multi-Station

Connect two SFD-1010/1012 display units with two sensors at the same time or two display units with one sensor through the Hub unit to be able to view your desired modes at the same time with only one setup.

Available configurations:

- 2 Sensors with 2 Displays
- 1 Sensor with 2 Displays
- 1 Sensor with 1 Display

- *2 Display units max
- *1 Radar unit max for each configuration



Multibeam Sonar DFF-3D
Fish Finder BBDS1, DFF1, DFF1-UHD, DFF3

Specifications

Display Unit

SFD-1010	10.4" TFT color LCD, 1024x768 (XGA)
SFD-1012	12.1" TFT color LCD, 1024x768 (XGA)
Brilliance	800 cd/m ²
View angle	80°(minimum)
Navigation data	Date, Time, Course, Own Ship's position, Bearing, COG/SOG, Bow direction
Weather Information	AWA, AWS, TWA, TWD, TWS, Air pressure, Water depth
Language	English, Japanese

Radar Function

Orientation mode	Head-up, North-up, Course-up
Trial length	15/30 sec, 1/3/6/15/30 min or continuous
ARPA target	0~30

Fish Finder Function

Color display	Depends on the external Fish Finder in use
Display mode	Single Frequency, Dual Frequency, Zoom, A-Scope
Expansion mode	Bottom-lock expansion, Bottom zoom

Multibeam Sonar Function (When connected to DFF-3D)

Display mode	Multibeam Fish Finder, Side-scan, 3D history
Depth range	1200 m max. (4000 ft, 650 fm, 800 HR, 750 pb)
Adjustment	Display, Brilliance, Diagnosis

Interface

Number of ports	
-Serial	2 ports, NMEA0183
-LAN	1 port, Ethernet 100Base-TX, RJ45
-USB	1 port, USB2.0 (Type A), For maintenance
-NMEA2000	1 port
-HDMI output	1 port, 1280x768 (HD)
Data sentence	
-Input	GGA, GNS, HDG, HDT, MDA, MWV, RMA, RMB, RMC, THS, TLL, VHW, VTG, WPT, ZDA
-Output	TLL

Power Supply

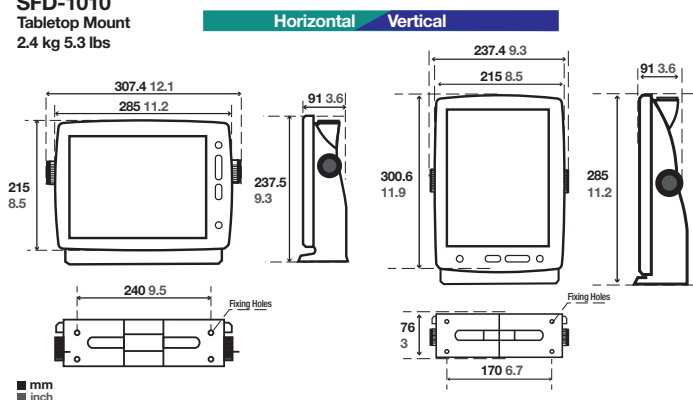
FLEX Function Display 12-24 VDC: 3.0-1.5 A

Environmental Conditions

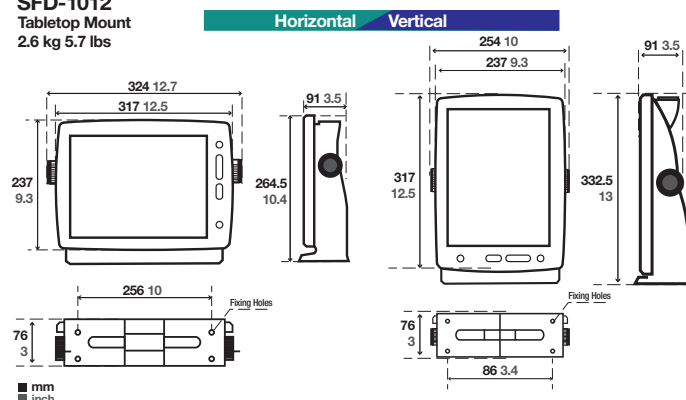
Temperature	-15°C~+55°C
Humidity	93%
Protection	IP25
Vibration	IEC60945 Ed.4

Drawings

SFD-1010
Tabletop Mount
2.4 kg 5.3 lbs

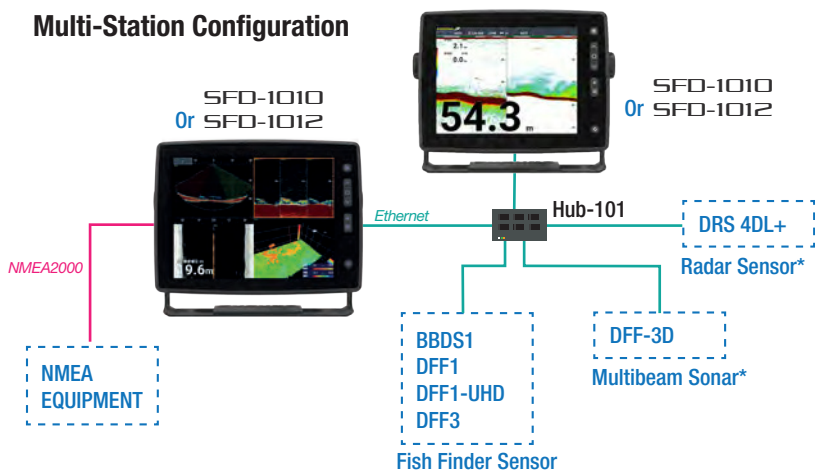


SFD-1012
Tabletop Mount
2.6 kg 5.7 lbs

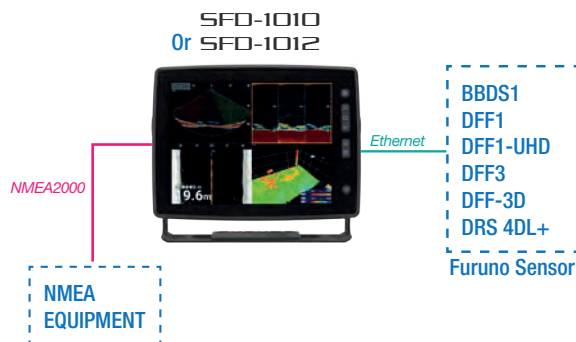


Interconnection Diagram

Multi-Station Configuration



Stand-Alone Configuration



*Up to 2 sensors can be connected to a SFD unit at a time.

Beware of similar products

All brand and product names are registered trademarks, trademarks or service marks of their respective holders.

SPECIFICATIONS SUBJECT TO CHANGE WITHOUT NOTICE

FURUNO ELECTRIC CO., LTD.
Japan | www.furuno.com
FURUNO U.S.A., INC.
U.S.A. | www.furunousa.com
FURUNO PANAMA S.A.
Republic of Panama | www.furuno.com.pa
FURUNO (UK) LIMITED
U.K. | www.furuno.co.uk
FURUNO NORGE A/S
Norway | www.furuno.no

FURUNO DANMARK A/S
Denmark | www.furuno.dk
FURUNO SVERIGE AB
Sweden | www.furuno.se
FURUNO FINLAND OY
Finland | www.furuno.fi
FURUNO POLSKA Sp. Z o.o.
Poland | www.furuno.pl
FURUNO DEUTSCHLAND GmbH
Germany | www.furuno.de

FURUNO FRANCE S.A.S.
France | www.furuno.fr
FURUNO ESPAÑA S.A.
Spain | www.furuno.es
FURUNO ITALIA S.R.L.
Italy | www.furuno.it
FURUNO HELLAS S.A.
Greece | www.furuno.gr
FURUNO (CYPRUS) LTD
Cyprus | www.furuno.com.cy

FURUNO SHANGHAI CO., LTD.
China | www.furuno.com/cn
FURUNO CHINA CO., LTD.
Hong Kong | www.furuno.com/cn
FURUNO KOREA CO., LTD
Korea
FURUNO SINGAPORE
Singapore | www.furuno.sg

PT FURUNO ELECTRIC INDONESIA
Indonesia | www.furuno.id
FURUNO ELECTRIC (MALAYSIA) S.N.D. BHD.
Malaysia | www.furuno.my