

Intellian® i3L

**Compact and powerful
marine satellite TV antenna system**

Intellian® i3L The compact and stylish Intellian i3L ideally brings a perfect fit for boats as small as 25 feet. With its embedded HD modules, the i3L brings the boaters excitement and variety of satellite HDTV programs simultaneously whether the vessels are traveling around the coast or heading offshore.

- *Optimized design with 37cm dish diameter*
- *Compact yet powerful at an affordable price*
- *User-friendly & easy to operate*
- *Single wire connectivity*
- *HD operation with European satellite services*
- *Compact and lightweight solution*
- *WRS and DBT for quicker signal acquisition and quieter tracking*
- *Lower cost with a wider coverage area*

For more information, visit www.intelliantech.com



HDTV
COMPATIBLE



Compact size with powerful performance

37cm dish diameter with nationwide coverage for Europe

Faster signal acquisition

Intellian's exclusive Wide Range Search (WRS) algorithm allows the antenna to search, find and lock on to a signal with incredible speed and accuracy.

A firm hold on the signal

Intellian's exclusive Dynamic Beam Tilting (DBT) uses a high performance, constantly adjusting sub-reflector which allows the antenna to remain the strongest signal at all times while the vessel is cruising at high speed.

Simple & easy installation

With a single cable to connect the antenna and the ACU, Intellian i3L systems are quick and easy to install. Our advanced ACU is designed to require minimum setup so you can begin to enjoy TV programs aboard your boat in no time.

Tune in your favorite HDTV channels

Depending on satellite TV provider Intellian's i3L provides HD channels from the Ku-band. The HD module is actually built-in to the Antenna Control Unit of the Intellian i3L for seamless integration and easy installation.

Built-in GPS

The Intellian i3L includes a built-in GPS for easier operation and faster signal acquisition. It allows the i3L to have higher accuracy and easy operation wherever the vessel sails.

User-friendly operation

Antenna Control Unit (ACU), which is supplied as a default package, gives you the user-friendly operation for various function.

Single cable operation

Compact - lightweight solution

Intellian®

Intellian® i3L

**Compact and powerful
marine satellite TV antenna system**

Key features

Fully automated system

Automatic satellite search and identification
2-axis step motors to stabilize the pedestal

Enhanced antenna design

Highly efficient parabolic antenna enables 50dBW of minimum EIRP.
Vertical / Horizontal polarization

Compact size

37 cm antenna dish diameter
Light antenna weighs less than 9 kg

Wide range search (WRS) algorithm

Patented Intellian's exclusive WRS searches for the wide range of side lobes and jumps up to the main lobe, providing much faster satellite acquisition.

Dynamic beam tilting (DBT) technology

A high-speed sub-reflector rotates off axis, checking signal strength at 50 times per second and compensating the tracking direction. Less movement of the main-reflector means reduced noise and extends the product life.

Fully automated digital video broadcasting (DVB) identification

DVB Decoder with CPLD enables high speed identification.

Updated antenna control unit

Easy to change and update satellite information
Instant antenna status check and automatic diagnosis
A antenna control using PC interface

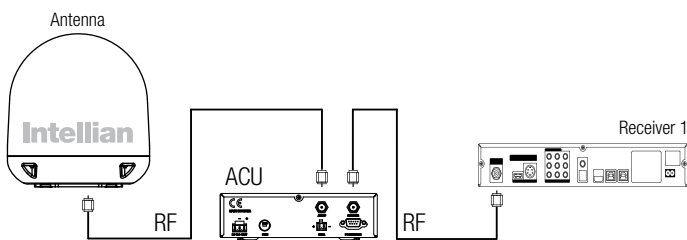
Built-in GPS and NMEA 0183 interface port

The i3L includes a built-in GPS inside of the Antenna Unit
unabling faster signal acquisition.
The ship's GPS can also be connected to the NMEA 0183 port
on the rear panel of the ACU.

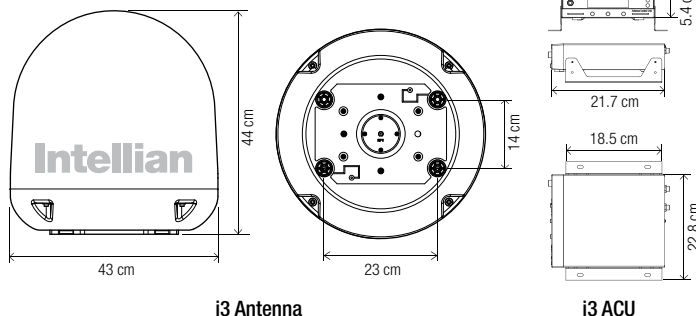
Technical specifications

Part #	Specifications
B2-341U	Intellian i3L satellite TV antenna system (Europe)
Physical	
Radome height	44 cm
Radome diameter	43 cm
Antenna dish diameter	37 cm
Weight	9 kg
Environmental	
Operating temp. range	-15°C ~ 55°C
Storage temp. range	-25°C ~ 70°C
Water ingress	IPX6
Approvals	CE / FCC
Warranty	2 years parts and 1 year labor
Performance	
Reception frequency	Ku-band (10.7~ 12.75 GHz)
Polarization	Vertical / Horizontal
Minimum EIRP	50 dBW
Azimuth range	680°
Elevation range	+10° to +80°
Ship's motion	Roll ±25°, Pitch ±15°
Roll & pitch response rate	60° / second
Turn rate	60° / second
RF output	Single output
Antenna control unit	
Dimensions (WxDxH)	17.8 cm x 21.7 cm x 5.4 cm
Weight	1.2 kg
Display	2 Line 20 Character VFD module
Control key	5 Integrated push buttons
Power input	9 ~ 30 VDC (Typ. 30W, Max. 50W)
GPS interface	NMEA0183

System diagram



Antenna dimensions



Intellian®

**Europe
Headquarters**
Netherlands Region

Intellian B.V.
Bristolstraat 1, 3047AB
Rotterdam, Netherlands

Tel +31 1 0820 8655
Fax +31 1 0820 8656
Email info@intelliantech.com

Headquarters
EMEA & APAC Region

Intellian Technologies, Inc.
2F Dongik Bldg., 98, Nonhyun-dong,
Kangnam-gu, Seoul 135-010, Korea

Tel +82-2-511-2244
Fax +82-2-511-2235
Email info@intelliantech.com

ISO 9001 Certified

For more info, visit intelliantech.com