

# Intellian® i3

**Compact but Powerful Marine  
Satellite TV Antenna System**

**Intellian® i3** The compact and stylish, Intellian i3 ideally brings a perfect fit for boats as small as 25 feet. With its embedded HD modules, the i3 brings the boaters excitement and variety of satellite TV HD programs simultaneously whether the vessels are traveling around the coastal or heading offshore.

- *Optimized Design with 15" Dish Diameter*
- *Compact but Powerful with Affordable Value*
- *User-friendly & Easy to Install*
- *Seamless Viewing (Automatic Satellite Switch) of All DirecTV's Ku-band Channels. Available with MIM (Multi-satellite Interface Module) – US Only*

For more information, visit [www.intelliantech.com](http://www.intelliantech.com)



#### Compact Size with Powerful Performance

15inch dish diameter with national coverage for US, Europe and the regional service around the global.

#### Faster Signal Acquisition

Intellian's exclusive Wide Range Search (WRS) algorithm allows antenna to search, find and lock on to a signal with incredible speed and accuracy.

#### A Firm Hold on the Signal

Dynamic Beam Tilting (DBT) uses a high performance, constantly adjusting sub-reflector which allows the antenna to remain relatively still, eliminating the constant whine of stepper motors while providing clear reception while the boat is in motion.

#### Simple & Easy Installation

With just a single cable to connect the antenna and the ACU, Intellian i3 systems are quick and easy to install. Our advanced ACU is designed to require a minimum of set-up so you can begin to enjoy TV programs aboard your boat in no time.

#### Tune in Your Favorite HDTV Channels

Intellian i3 will provide reception of HD channels on the Ku-band. The HD module is actually built-in to the Antenna Control Unit of the Intellian i3 for seamless integration and easy installation.

#### Built-in GPS

Built-in high performance GPS system, provided as default option, allows i3 to have higher accuracy and easy operation wherever the vessel sails.

#### User-friendly Operation

Antenna Control Unit (ACU), which is supplied as a default package, gives you the user-friendly operation for various function.



# Intellian® i3

## Compact but Powerful Marine Satellite TV Antenna System

### Key Features

#### Fully Automated System

Automatic satellite search and identification  
2-axis step motor for manipulating the pedestal

#### Enhanced Antenna

High efficiency parabolic antenna  
RHCP/ LHCP, Vertical/ Horizontal polarization

#### Compact Size

15inch antenna dish diameter  
Very light Antenna weight less than 20 pounds

#### Fastest Search Algorithm

Wide Range Search(WRS) algorithm  
Statistical search algorithm

#### Superior Dynamic Tracking

Dynamic Beam Tilting (DBT) by rotating sub-reflector

#### DVB Signal Identification

High speed identification applying DVB Decoder with CPLD  
QPSK Demodulator Lock for DSS Signal

#### New type Antenna Control Unit

Easy satellite information change and update  
Easy antenna status check and automatic diagnosis  
Easy antenna control using PC interface with USB cable

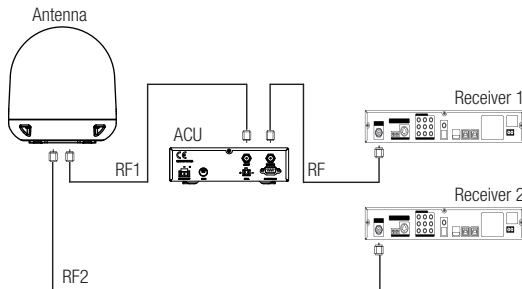
#### Built-in GPS System

Embedded GPS, which allows for the system to upload GPS data automatically into the system

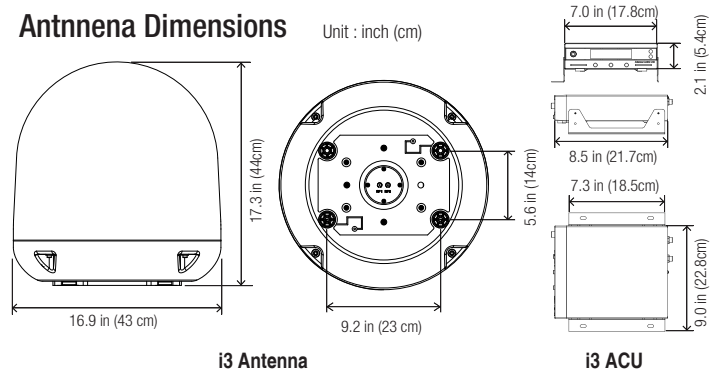
### Technical Specifications

Part #	Specifications
B2-303S	Intellian i3 Satellite TV Antenna System (US)
B2-301U	Intellian i3 Satellite TV Antenna System (Europe)
Physical	
Radome Height	17.3 in ( 44cm )
Radome Diameter	16.9 in (43 cm)
Antenna Dish Diameter	14.6 in ( 37cm )
Weight	19.8 lbs (9 kg)
Environmental	
Operating Temp. Range	5°F ~ 131°F ( -15°C ~ 55°C )
Storage Temp. Range	-13°F ~ 158°F ( -25°C ~ 70°C )
Water Ingress	IPX6
Approvals	CE / FCC
Warranty	2-Year Parts and 1-Year Labor
Performance	
Reception Frequency	Ku-band (10.7~ 12.75GHz)
Polarization	RHCP/ LHCP, Vertical/ Horizontal
Minimum EIRP	50 dBW
Azimuth Range	680°
Elevation Range	+10° to +80°
Ship's Motion	Roll +/-25°, Pitch +/-15°
Roll & Pitch Response Rate	60° / Second
Turn Rate	60° / Second
RF Output	Dual/ Quad Output
Antenna Control Unit	
Dimensions (WxDxH)	7.0 in x 8.5 in x 2.1 in ( 17.8cm x 21.7cm x 5.4cm )
Weight	2.6 lbs ( 1.2kg )
Display	2 Line 20 Character VFD Module
Control Key	5 Integrated Push Buttons
Power Input	DC 10.8 ~ 15.6V ( Typ. 30W, Max. 50W )
GPS Interface	Built-in (NMEA0183 GPS)

### System Diagram



### Antenna Dimensions



**Intellian Technologies®**  
Communicate Smarter  
ISO 9001 Certified

**US Headquarters**  
Americas Region

Intellian Technologies USA, Inc.  
Parker Irvine Business Center  
19 Hammond Suite 509  
Irvine, CA 92618 USA  
Tel +1-949-916-4411  
Toll Free +1-888-201-9223  
Fax +1-949-271-4183  
Email info@intelliantech.com

**Headquarters**  
EMEA & APAC Region

Intellian Technologies, Inc.  
7th Floor, Dongik Building  
Nonhyundong, Kangnam-gu  
Seoul 135-010, South Korea  
Tel +82-2-515-4923  
Fax +82-2-515-4903  
Email info@intelliantech.com

For more info, visit [intelliantech.com](http://intelliantech.com)