

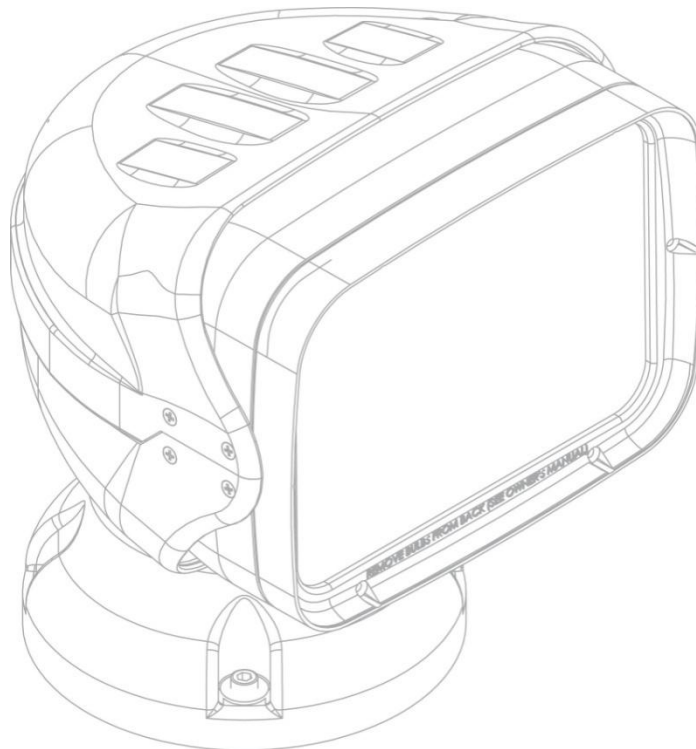
# THE SCIENCE **ACR** OF SURVIVAL

PRODUCT MOUNTING TEMPLATES

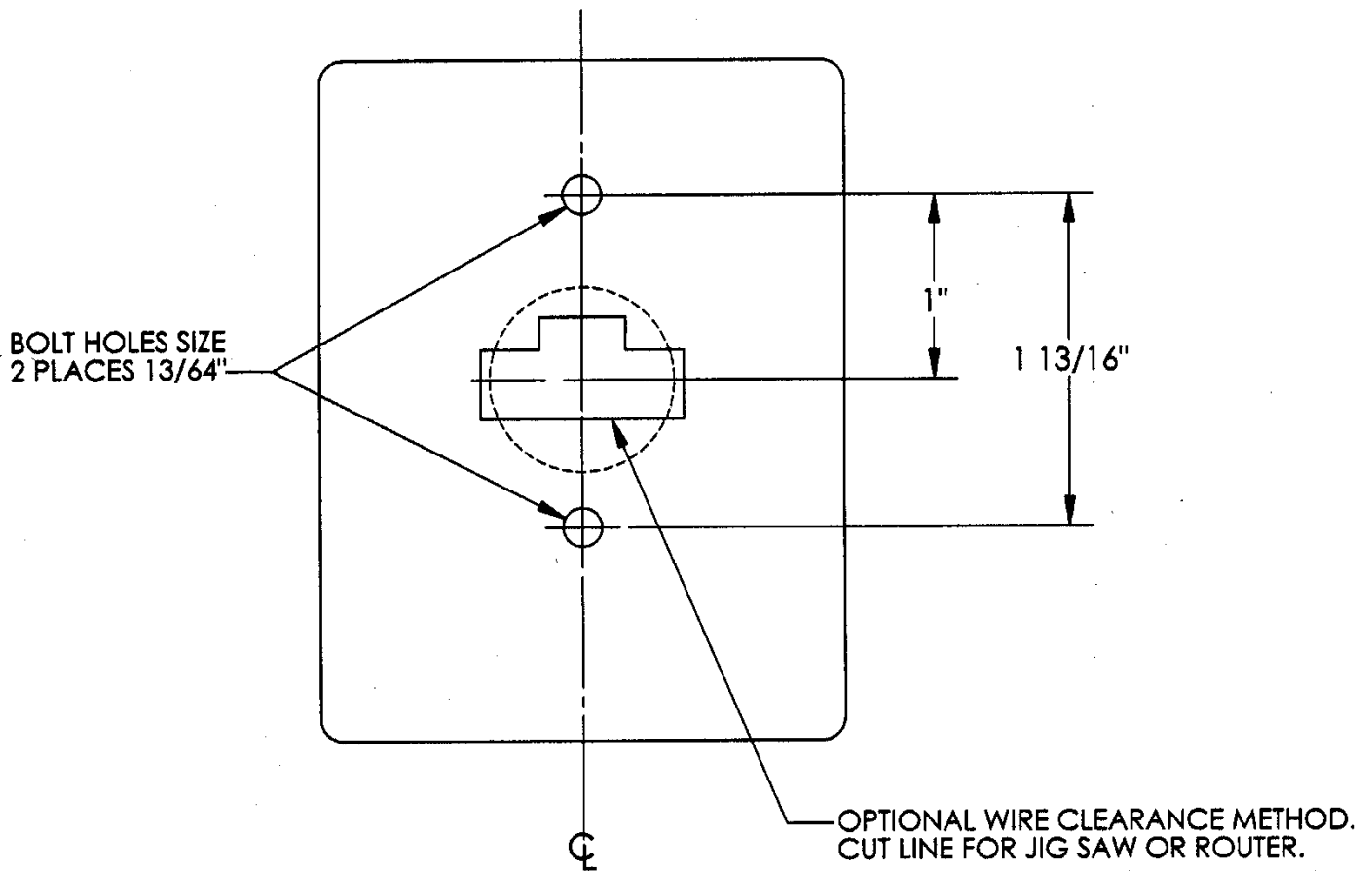
## RCL-75// Remote Control Searchlight System

Product No.: 1946

Y1-03-0158-1 Rev. C

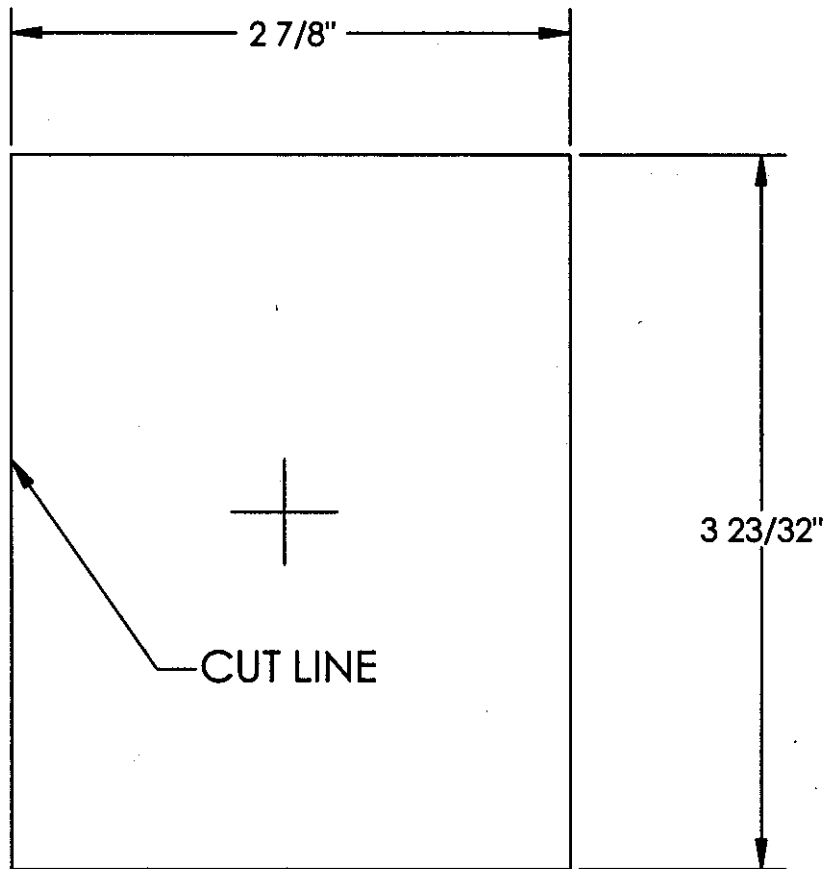


WIRE CLEARANCE HOLE SIZE  
1" DIAMETER MINIMUM



**Remote Control Point Pad™  
Surface Mount Template**

**NOTE:** If mounting template is obtained from the ACR website, any electronic media, or from a photocopy, please verify the dimensions of the scale shown with actual measuring device. Duplicate templates may not be of true 1:1 scale. Any deviation should be considered when using mounting template.



Use U-Clamp to secure control switch

**Remote Control Point Pad™  
Flush Mount Template**

**NOTE:** If mounting template is obtained from the ACR website, any electronic media, or from a photocopy, please verify the dimensions of the scale shown with actual measuring device. Duplicate templates may not be of true 1:1 scale. Any deviation should be considered when using mounting template.

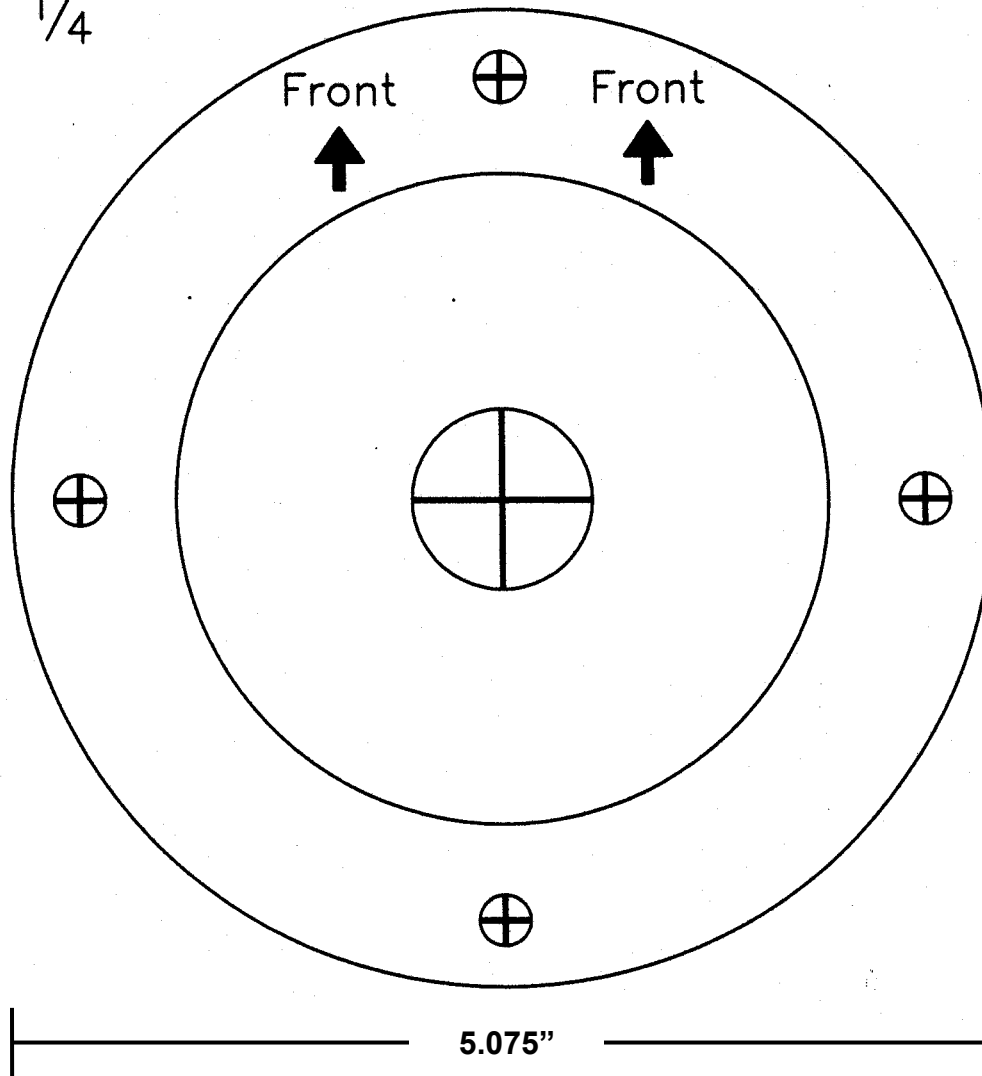
BOLT HOLE SIZE

4 PLACES

$\frac{1}{4}$

WIRE HOLE SIZE

$\frac{15}{16}$



Use caulk or bedding compound to seal bolt and wire holes before the light is attached to mounting plate.

#### Deck Mount Plate

**NOTE:** If mounting template is obtained from the ACR website, any electronic media, or from a photocopy, please verify the dimensions of the scale shown with actual measuring device. Duplicate templates may not be of true 1:1 scale. Any deviation should be considered when using mounting template.