

High brightness 7" wide TFT

# GPS/WAAS CHART PLOTTER

available with high performance Fish Finder

## Models **GP-7000/7000F**

- Sunlight viewable 7" TFT bright color LCD (wide 16:9 aspect ratio)
- Compatible with C-Map NT MAX charts
- Dual SD card slots for memory and chart cards (Conventional SD cards can be used for waypoint/route backup)
- Enhanced chart redraw speed
- Compact GPS/WAAS receiver antenna
- User-friendly interface and operation with rotary encoder and soft keys
- Displays up to 50 AIS targets
- 50/200 kHz, 600 W or 1 kW dual-frequency fish finder (GP-7000F)



**GP-7000:** GPS/WAAS Chart Plotter  
**GP-7000F:** GPS/WAAS Chart Plotter with Fish Finder



# Full-featured GPS / WAAS plotter with exceptional redraw speed and a bright LCD



## Sunlight Viewable

For optimum data presentation, the GP-7000 and GP-7000F utilize a display that can be viewed in direct sunlight. It also provides excellent contrast and a wide viewing angle. Special anti-reflective filters enhance the screen to reduce glares on the TFT LCD.



## Rotary Encoder

The rotary encoder allows you to perform all the functions of the GP-7000 and GP-7000F with minimal hand movement for simplified operation.



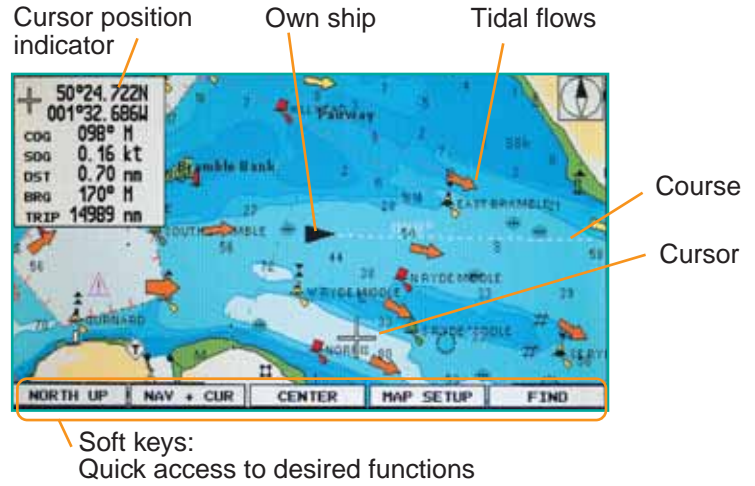
## Dual SD card slots

The GP-7000 and GP-7000F provides two SD (Secure Digital) cards slots. Either slot can be used for C-Map NT+ charts or memory storage of Nav data. More than 280,000 waypoints can be stored in a commercial 32 MB card, while the internal memory can store up to 2,000 waypoints.



The GP-7000 and GP-7000F are GPS/WAAS plotters designed for a variety of vessels with video plotting and fish finding capabilities\*. With the GP-7000 series, you can see the highly accurate position of your boat on the chart. (\*GP-7000F only)

The GP-7000 series has four display modes: Course Plot, Nav Data, Steering, and Highway modes. The course plot mode is useful for obtaining general information about surrounding sea areas. The Nav data mode clearly shows important navigational information with large text, which is easy to see even from a distance. The steering mode and highway mode assist the operator in following a predetermined route.



Soft keys:  
Quick access to desired functions



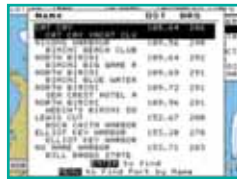
Guardian Technology™

The GP-7000 series uses C-Map NT<sup>+</sup>/NT MAX charts. These charts provide navigational information including water depth, contours, coastlines, lighthouses, buoys, etc. The use of SD cards facilitates the management of large amount of chart data.

The GP-7000 series features unique functions by using C-Map charts. Guardian Technology™ continuously scans the electronic chart data in front of the boat to detect rocks, shoals, obstructions and land areas that could pose a threat if the vessel were to continue along its current course. The search area is user-definable and is identified by a triangle on the screen. Triggering timely and clear alarms, Guardian Technology™ provides a higher level of safety only previously available on commercial navigation systems.



By placing the cursor on a object icon or marks, you can get detailed information about it.



Search and Get detailed information!

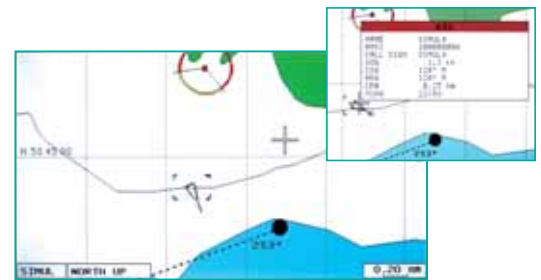


C-Map NT<sup>+</sup>/NT MAX charts have a port service list to show which services are available at ports and harbors. The list sorts port name by order of distance from own ship. You can find a more desirable port with desired port service.

### AIS Target Display (AIS receiver required)

The GP-7000 series lets you integrate AIS (Automatic Identification System) into the route monitoring. Information about up to 50 AIS targets can be displayed. AIS Targets Display facilitates more comprehensive monitoring of other vessels to improve Navigation Safety.

► Indicates the state of targets with four symbols



### GPS Fish Finder GP-7000F

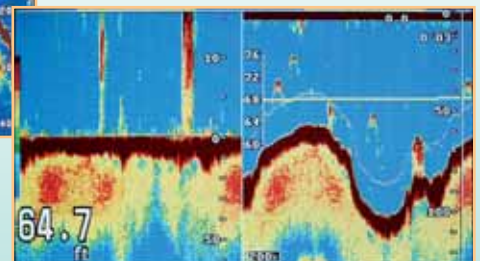
The fish finder function of the GP-7000F graphically depicts underwater conditions, such as fish schools and seabed.

Operating frequency is 50 and 200 kHz with high transmission output power of 600 W or 1 kW. The information can be displayed together with the course plot mode in split screen or by itself on a full screen.



Combination

Bottom discrimination





# SPECIFICATIONS OF GP-7000/7000F

## REGISTERED NAME

**GP-7000** COLOR GPS PLOTTER  
**GP-7000F** COLOR GPS/PLOTTER/SOUNDER

## GPS RECEIVER CHARACTERISTICS

**Receiver Type** Twelve discrete channels, C/A code, all-in-view, Integral WAAS receiver processor  
**Receive Frequency** L1 (1575.42 MHz)  
**Accuracy** GPS: 10 m (95%)  
 WAAS: 3 m (95%)  
**Time to First Fix** 12 s (warm start)  
**Tracking velocity** 999 kt  
**Geodetic System** WGS-84

## PLOTTER CHARACTERISTICS

**Display** 7" color LCD, 480 x 234 pixels (wide 16:9 aspect ratio)  
 Between 80°N and 80°S  
**Latitude Limits**  
**Plot Interval** 1, 5, 10, 30 s, 1, 5, 10, 30 m, 1 h  
 0.01, 0.05, 0.5, 1.0, 2.0, 5.0, 10.0 nm  
**Display Modes** Course Plot, Nav Data, Steering Display, Highway, Combination with Fish Finder\*  
 \* GP-7000F only  
**Presentation Modes** TM/RM North-up, Course-up, Auto Course-up  
**Memory Capacity** Up to 12,000 points for ship's track points, 2,000 waypoints and 200 planned routes (Max. 35 waypoints/route)  
**Voyage Planning** Waypoint navigation or route navigation  
**Alarms** Arrival/anchor watch, XTE, proximity alert, ship speed, grounding, depth\*, water temperature\*, fish\*  
 \*GP-7000F — Temperature sensor required for water temp alarm.

## AIS Functions (Data input from AIS receiver/transponder is required)

**Symbols:** Sleeping, Activated, Selected, Lost targets  
**Number of targets:** 50 targets  
**Interface** (NMEA0183 ver.1.5/2.0/3.0)  
**Outputs:** AAM, APB, BOD, BWR, DBT\*, DPT\*, GGA, GLL, GTD, HDG, MTW\*, MWV, RTE, RMA, RMB, RMC, TLL, VHW, VTG, WPL, XTE, ZDA, VHW, HDT, HDG, TLL, DSC, DPT, MTW, MWV, VDM  
 \*GP-7000F  
**Inputs:** C-Map NT+/NT MAX chart  
**Electronic Chart Language** English, Italian, French, German, Spanish, Norwegian, Swedish, Portuguese, Danish, Finnish, Russian

## FISH FINDER (GP-7000F)

**Display Modes** Normal (single- or dual-frequency), Bottom-lock, Bottom Zoom, Marker Zoom, A-scope, Combination with Plotter

**Frequency** 50 and 200 kHz  
**Output Power** 600 W/1 kW (specify when ordering)  
**Basic Ranges** 8 basic ranges customized to max 1200 m (4000 ft, 650 fa)  
**Range Shift** Up to 1200 m (4000 ft, 650 fa)

## ENVIRONMENT (IEC 60945 test method)

**Temperature**  
**Display Unit:** -15°C to +55°C (5°F to +131°F)  
**Antenna Unit:** -25°C to +70°C (-13°F to +158°F)

## Waterproofing

**Display Unit:** IPX5 (IEC 60529), CFR46 (USCG)  
**Antenna Unit:** IPX6 (IEC 60529), CFR46 (USCG)

## POWER SUPPLY

12 - 24 VDC, 1.5 - 0.8 A

## EQUIPMENT LIST

### Standard

- |  |        |
|--|--------|
| 1. Display Unit GP-7000/7000F                      | 1 unit |
| 2. Antenna Unit GPA-017 with 10 m cable            | 1 unit |
| 3. Installation Materials and Standard Spare Parts | 1 set  |

### Option

- |  |                               |
|--|-------------------------------|
| 1. NMEA Cable with 6-6p connectors                 |                               |
| 5 m:   | MJ-A6SPF0012-050              |
| 10 m:  | MJ-A6SPF0012-100              |
| with 6p connector, 5 m                             | MJ-A6SPF0003-050              |
| with 7p connector, 5 m                             | MJ-A7SPF0007-050              |
| 2. External Cable for Antenna Unit, 30/50 m        |                               |
| 3. Antenna Mounting Base                           |                               |
| Pipe mount:  | CP20-01111                    |
| Deck mount:  | 13-QA330                      |
| Handrail mount:                                    | 13-RC5160                     |
| Offset bracket:                                    | 13-QA310                      |
| 4. Speed/Temperature Sensor                        | ST-02MSB, ST-02PSB (GP-7000F) |
| 5. Connector Cable for Speed/Temperature Sensor    |                               |
| 6. Cable between Distribution Box and Display Unit | 02S4089-0                     |
| 7. Distribution Box                                | MB-1000                       |
| 8. Innerhull Kit                                   | 22S0191-1                     |

## Transducers (Specify when ordering GP-7000F)

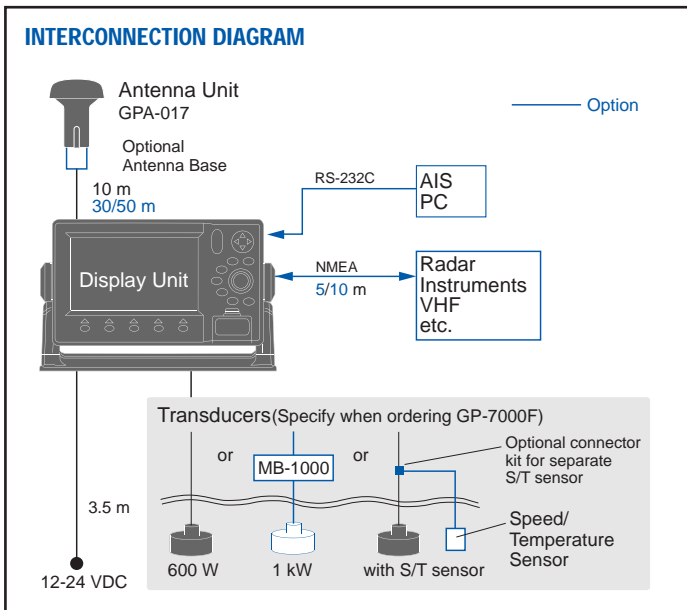
### 600 W

Plastic, thru-hull: 520-5PSD  
 Bronze, thru-hull: 520-5MSD  
 Plastic, transom: 525-5PWD

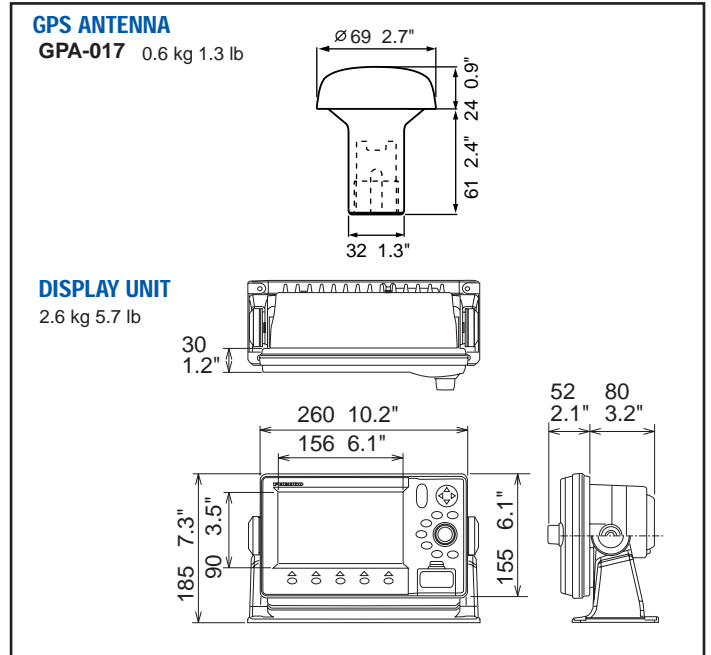
**1 kW** (Optional matching box required)  
 50B-6, 50B-6G, 200B-5, 200B-5S, 50/200-1T

## Triducers® (Specify when ordering GP-7000F)

Plastic, Transom: 525ST-PWD  
 Bronze, Thru-hull: 525ST-MSD



SPECIFICATIONS SUBJECT TO CHANGE WITHOUT NOTICE



## FURUNO U.S.A., INC.

Camas, Washington, U.S.A.  
 Phone: +1 360-834-9300  
 Fax: +1 360-834-9400

## FURUNO (UK) LIMITED

Havant, Hampshire, U.K.  
 Phone: +44 23 9244 1000  
 Fax: +44 23 9248 4316

## FURUNO FRANCE S.A.

Bordeaux-Mérignac, France  
 Phone: +33 5 56 13 48 00  
 Fax: +33 5 56 13 48 01

## FURUNO ESPAÑA S.A.

Madrid, Spain  
 Phone: +34 91-725-90-88  
 Fax: +34 91-725-98-97

## FURUNO DANMARK AS

Hvidovre, Denmark  
 Phone: +45 36 77 45 00  
 Fax: +45 36 77 45 01

## FURUNO NORGE A/S

Ålesund, Norway  
 Phone: +47 70 102950  
 Fax: +47 70 102951

## FURUNO SVERIGE AB

Västra Frölunda, Sweden  
 Phone: +46 31-7098940  
 Fax: +46 31-497093

## FURUNO FINLAND OY

Espoo, Finland  
 Phone: +358 9 4355 670  
 Fax: +358 9 4355 6710

## FURUNO POLSKA Sp. z o.o.

Gdynia, Poland  
 Phone: +48 58 669 02 20  
 Fax: +48 58 669 02 21

## FURUNO DEUTSCHLAND GmbH

Rellingen, Germany  
 Phone: +49 4101 838 0  
 Fax: +49 4101 838 111

## LLC "FURUNO EURUS"

St. Petersburg, Russian Federation  
 Phone: +7 812 767 15 92  
 Fax: +7 812 766 55 52

0612XN Printed in Japan

