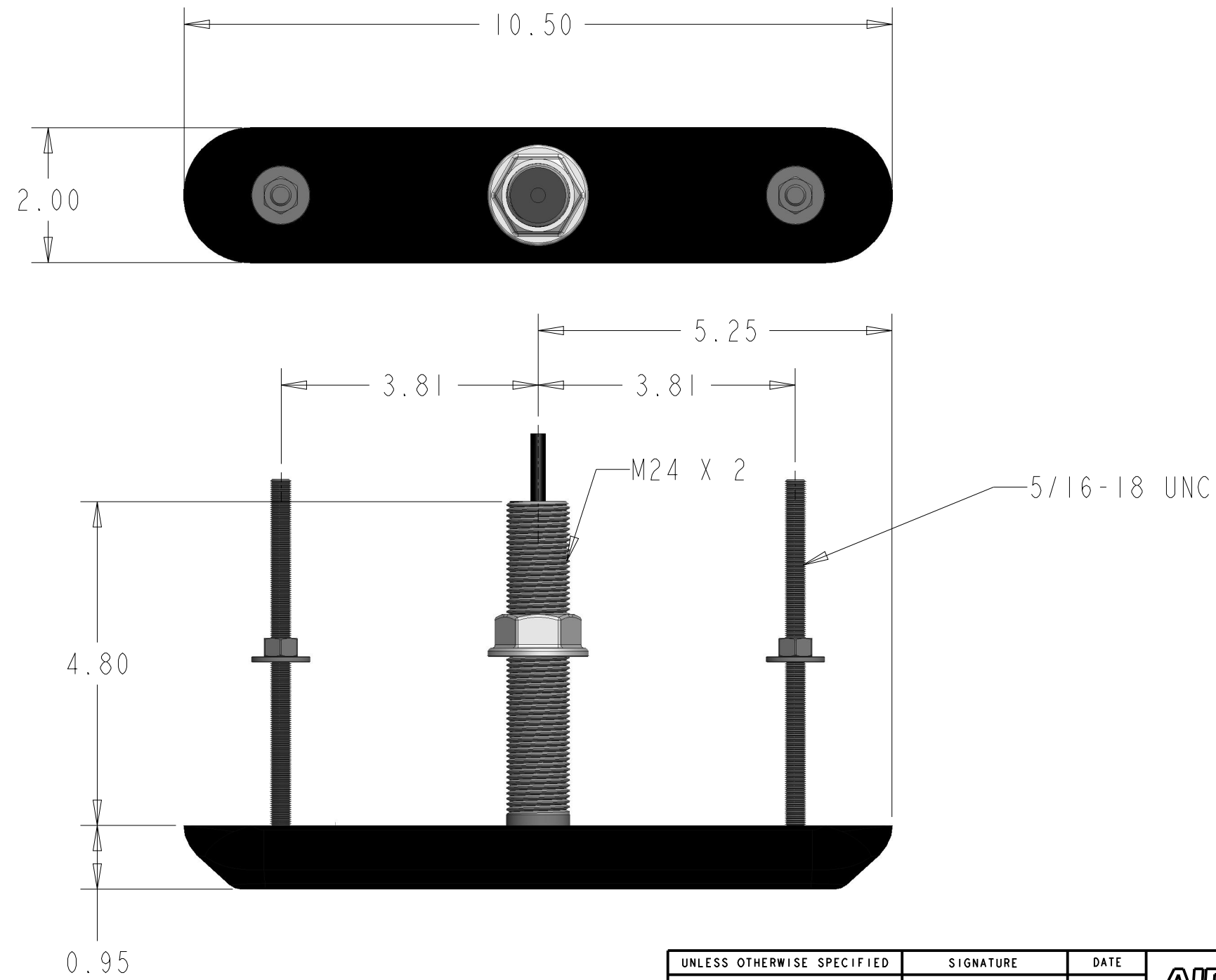


THIRD ANGLE PROJECTION

DOCUMENT REVISIONS				
REV	DESCRIPTION	CO NO.	DATE	CHG/CHK
1	INITIAL RELEASE	--	07/22/22	DLS/JD



PART NUMBER	N/A	P/N REV	
-------------	-----	---------	--

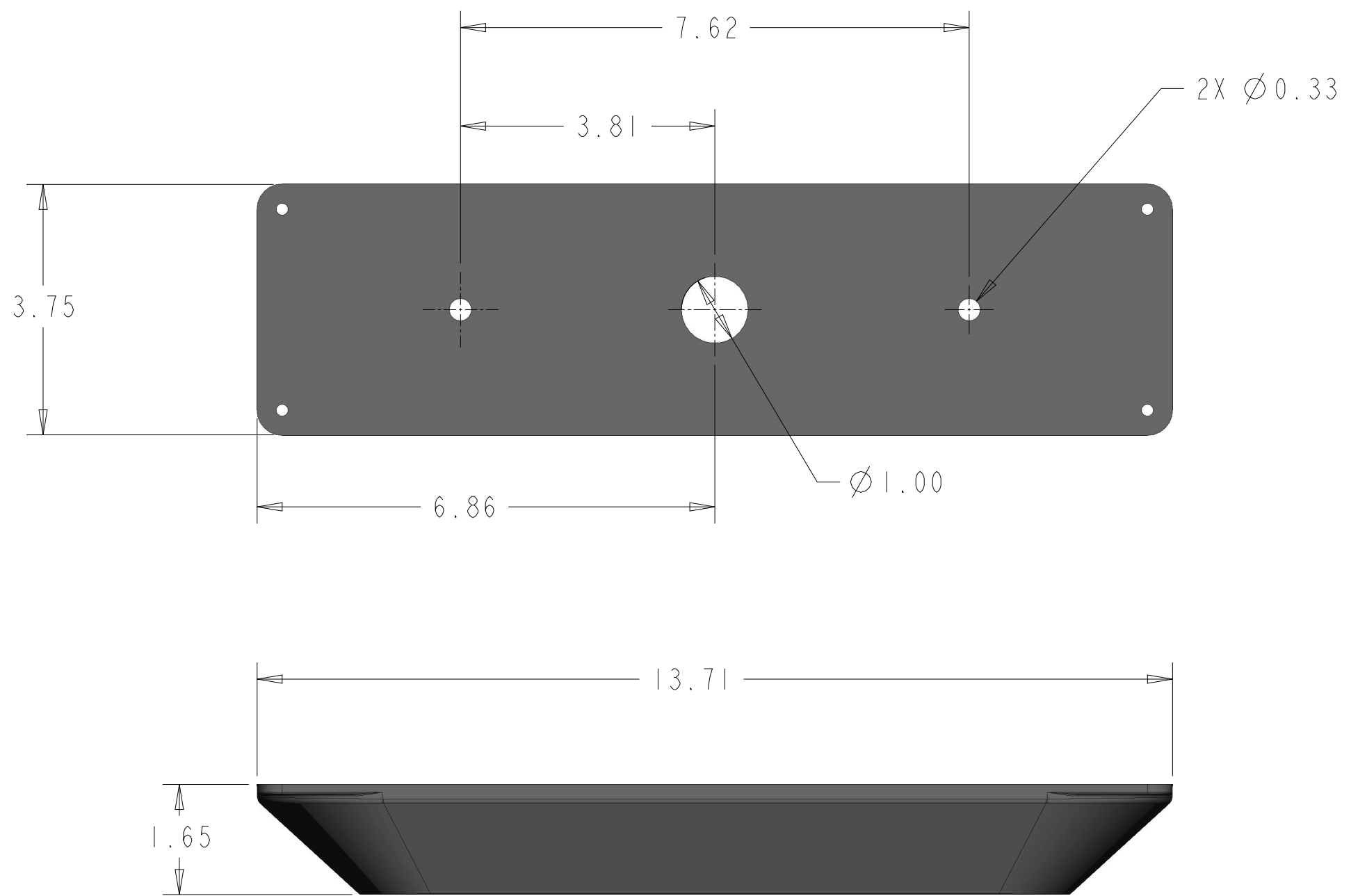
UNLESS OTHERWISE SPECIFIED	SIGNATURE	DATE
DIMENSIONS ARE IN INCHES TOLERANCES ON 2 PL DECIMALS: $\pm 0.02$ 3 PL DECIMALS: $\pm 0.005$ ANGLES: $\pm 1/2^\circ$ FRACTIONS: $\pm 1/16$ SURFACE FINISH: $\sqrt{63}$	DRAWN: D. SPALDING	07/20/22
	CHECKED: J. DECARLO	07/22/22
<b>MATERIAL</b> STEM AND HARDWARE: 316 STAINLESS STEEL HOUSING: HIGH IMPACT CHEMICAL RESISTANT PLASTIC AND URETHANE		

**AIRMAR** AIRMAR TECHNOLOGY CORPORATION  
 35 MEADOWBROOK DR  
 MILFORD NH 03055-4613 USA  
 TEL: 603-673-9570 FAX: 603-673-4624

TITLE  
 OUTLINE DRAWING,  
 SS904 SIDE SCAN

SIZE	SCALE: FULL	DOC NUMBER	DOC REV
B	SHEET 1 OF 1	D-20895	1

THIS DOCUMENT AND THE DATA DISCLOSED HEREIN OR HEREWITH IS NOT TO BE REPRODUCED, USED, OR DISCLOSED IN WHOLE OR IN PART TO ANYONE WITHOUT THE PERMISSION OF AIRMAR



PART NUMBER		N/A		P/N REV	
<b>AIRMAR</b>		AIRMAR TECHNOLOGY CORPORATION 35 MEADOWBROOK DR MILFORD NH 03055-4613 USA TEL: 603-673-9570 FAX: 603-673-4624			
TITLE					
OUTLINE DRAWING, SS904 SIDE SCAN					
SIZE	SCALE: FULL	DOC NUMBER	D-20895		DOC REV
B	SHEET 1 OF 1			1	
CRITICAL DIMENSIONS			(REF)	DO NOT SCALE DRAWING	

THIS DOCUMENT AND THE DATA DISCLOSED HEREIN OR HEREWITH IS NOT TO BE REPRODUCED, USED, OR DISCLOSED IN WHOLE OR IN PART TO ANYONE WITHOUT THE PERMISSION OF AIRMAR